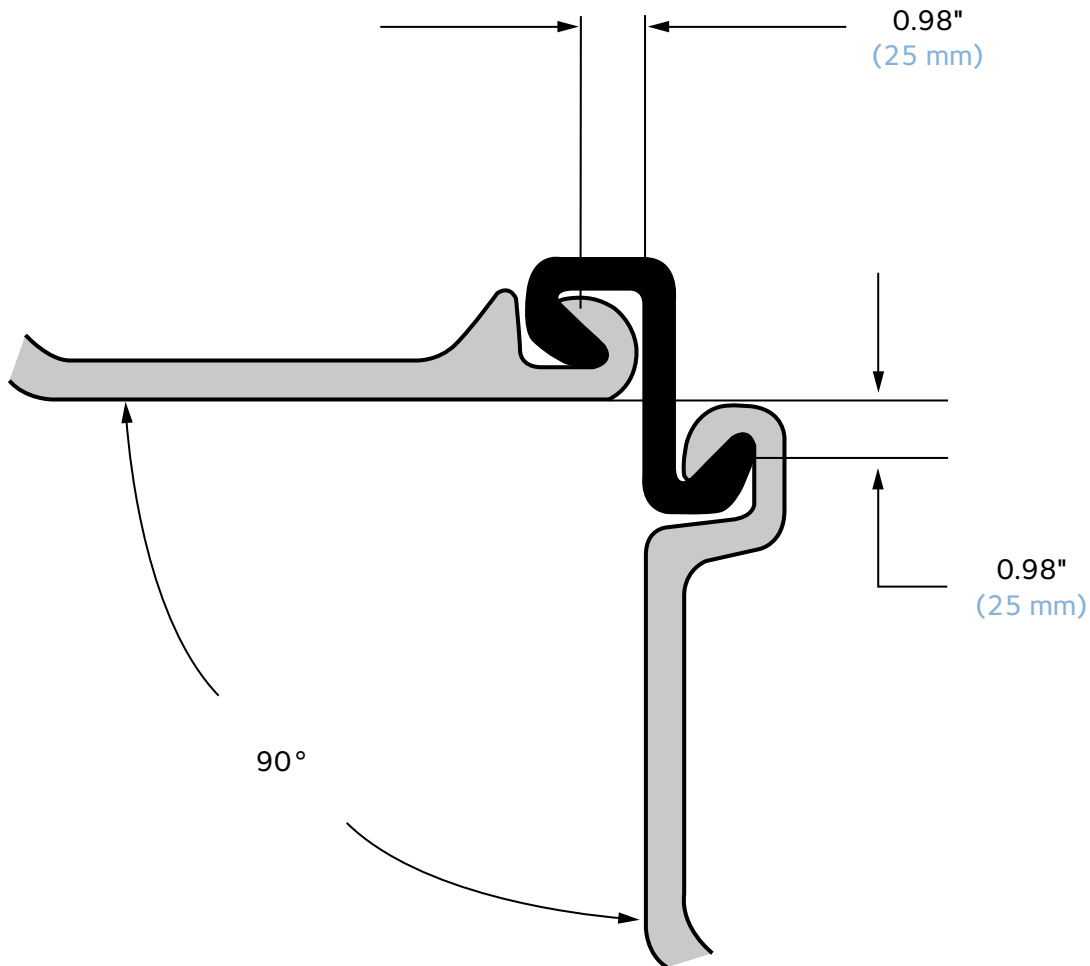


# C 14

Steel Sheet Pile Connectors

ArcelorMittal

skylinesteel I



**A572 Gr. 50 (S 355 GP)**  
**9.68 lb./ft. (14.4 kg/m)**

- Designed specifically to turn 90 degree corners
- Can be used with AZ, AU, PU, HZM and Pipe-AZ combined wall systems

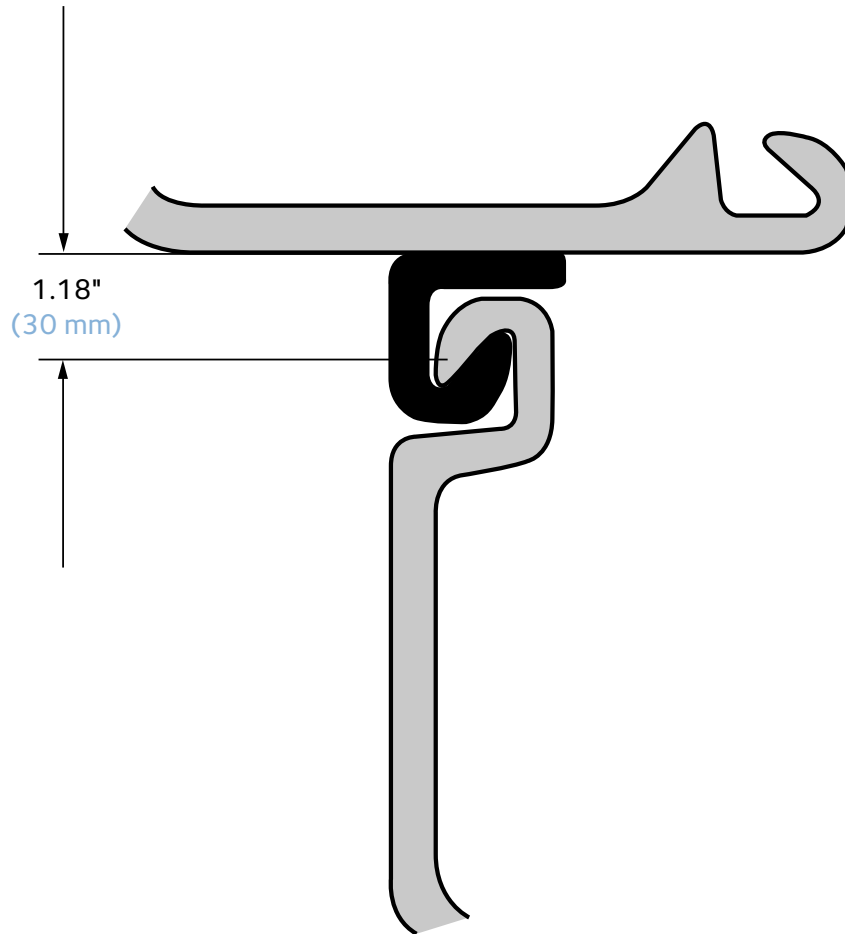
This drawing detail is subject to customer review and acceptance. Skyline Steel is not responsible for this submittal. The detail and the information it contains is the property of Skyline Steel and is not to be traced or copied, nor is the information contained to be misused in any way.

# C 9

Steel Sheet Pile Connectors

ArcelorMittal

skylinesteel I



**A 572 Gr. 50 (S 355 GP)**  
**6.25 lb./ft. (9.3 kg/m)**

- Designed to create T sections in sheet pile walls and connect sheet piles to king piles
- C 9 attaches at almost any angle
- Can be used with AZ, AU, PU, HZM and Pipe-AZ combined wall systems

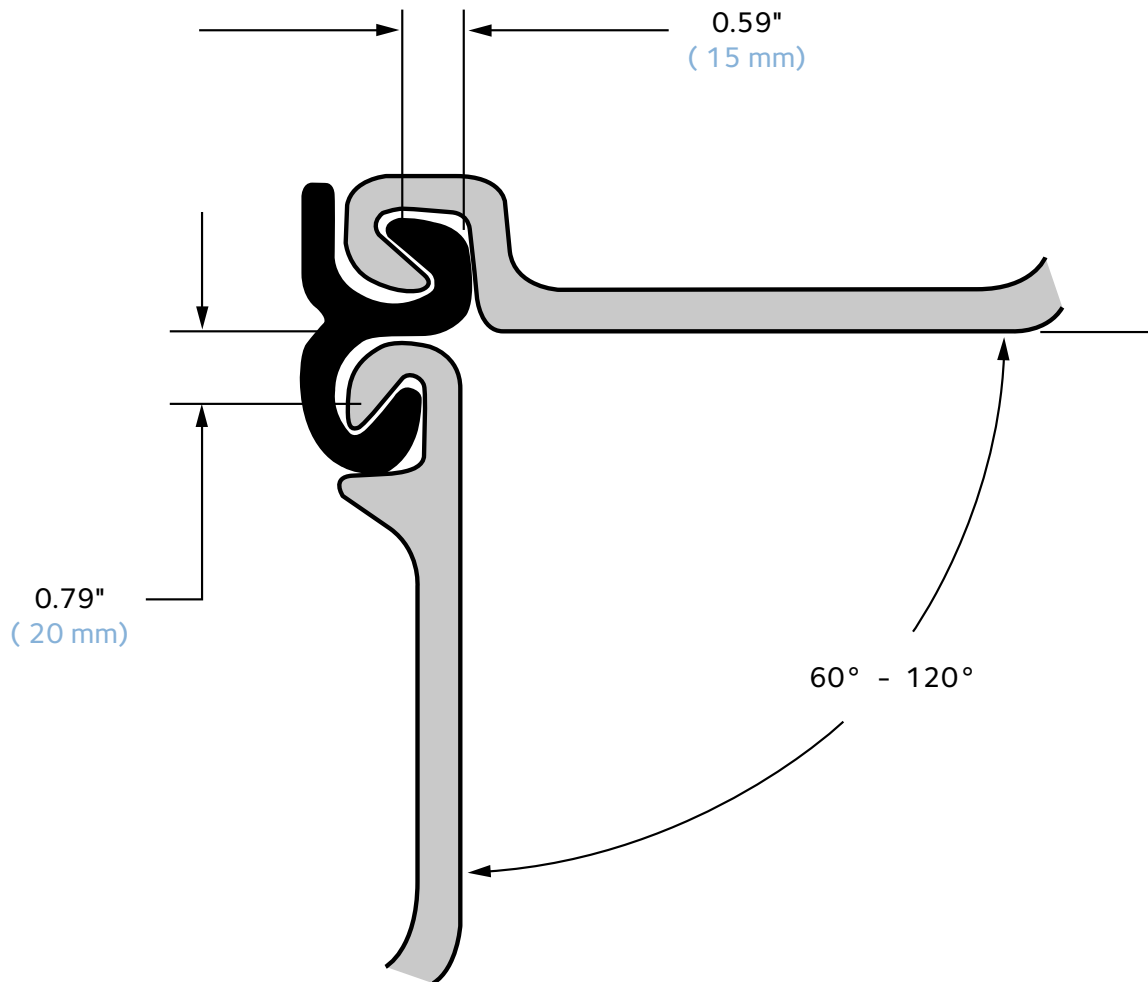
This drawing detail is subject to customer review and acceptance. Skyline Steel is not responsible for this submittal. The detail and the information it contains is the property of Skyline Steel and is not to be traced or copied, nor is the information contained to be misused in any way.

# Delta 13

Steel Sheet Pile Connectors



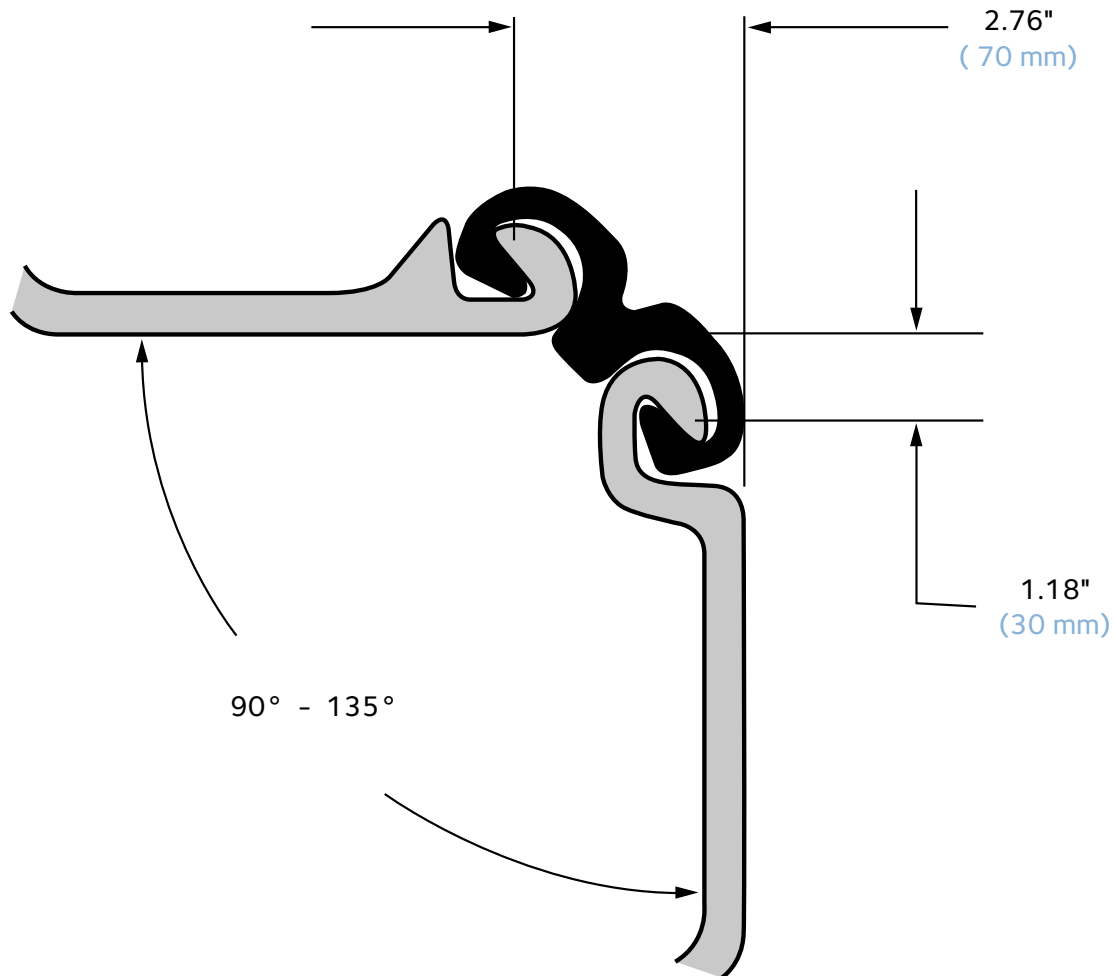
skylinesteel I



**A572 Gr. 50 (S 355 GP)**  
**8.80 lb./ft. (13.1 kg/m)**

- Offers flexibility in sheet pile corners and can turn angles between 60 and 120 degrees
- Can be used with AZ, AU, PU, HZM and Pipe-AZ combined wall systems

This drawing detail is subject to customer review and acceptance. Skyline Steel is not responsible for this submittal. The detail and the information it contains is the property of Skyline Steel and is not to be traced or copied, nor is the information contained to be misused in any way.



**A572 Gr. 62 (S 430 GP)**  
**12.10 lb./ft. (18.0 kg/m)**

- Developed to turn angles between 90 and 135 degrees
- Can be used with AZ, AU, PU, HZM and Pipe-AZ combined wall systems

This drawing detail is subject to customer review and acceptance. Skyline Steel is not responsible for this submittal. The detail and the information it contains is the property of Skyline Steel and is not to be traced or copied, nor is the information contained to be misused in any way.