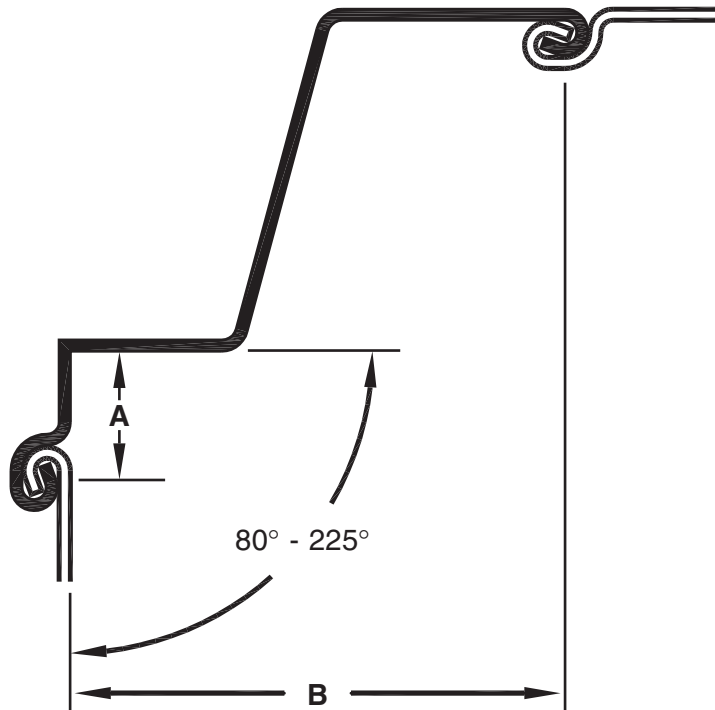


CZ 14 - CZ 16
A = 5.0 inches (127.0 mm)
B = 23.5 inches (596.9 mm)

CZ 17 - CZ 21
A = 5.0 inches (127.0 mm)
B = 24.95 inches (633.7 mm)

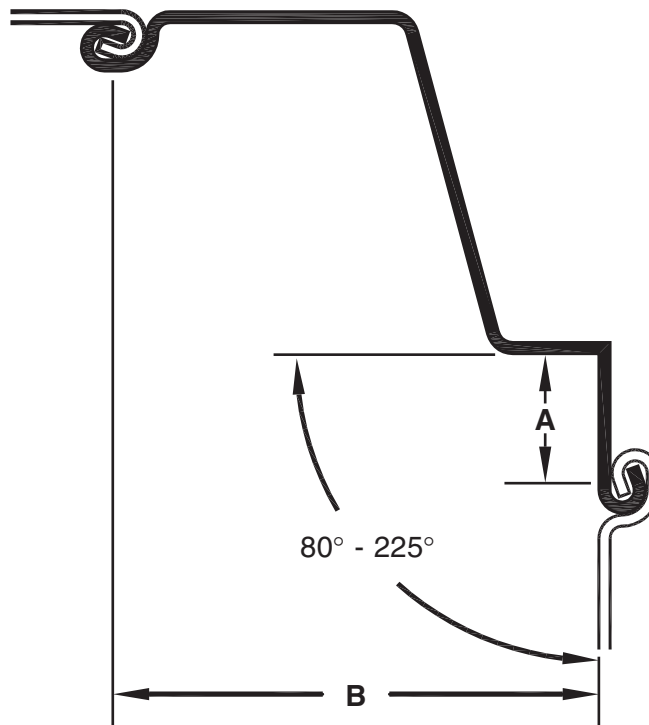
CZ 67 - CZ 72
A = 4.9 inches (124.5 mm)
B = 16.8 inches (426.7 mm)

CZ 114rd - CZ 148
A = 5.0 inches (127.0 mm)
B = 19.0 inches (482.6 mm)

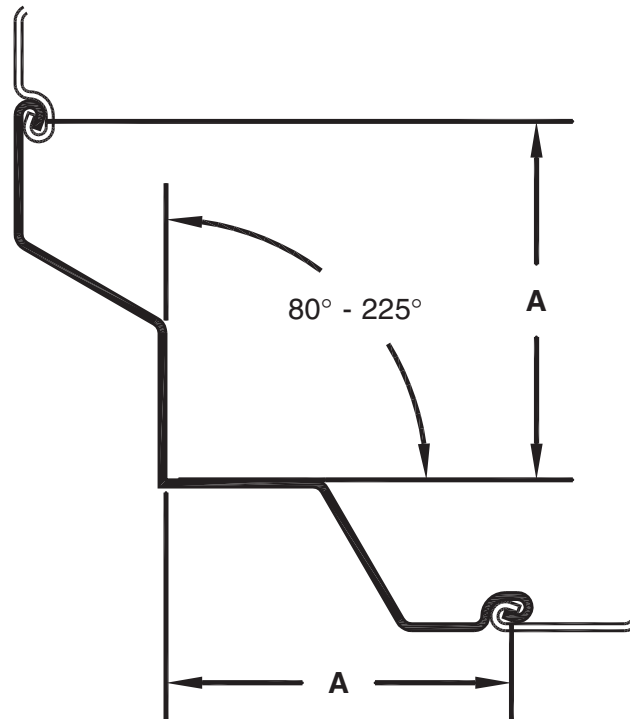


Designation: **B 2**
 Weight: Varies
 Sheet Pile Sections: CZ
 Angle: 80-225 Degrees
 Steel Grade: A 572 Grade 50-65

- CZ 14 - CZ 16
 A = 5.0 inches (127.0 mm)
 B = 23.5 inches (596.9 mm)
- CZ 17 - CZ 21
 A = 5.0 inches (127.0 mm)
 B = 24.95 inches (633.7 mm)
- CZ 67 - CZ 72
 A = 4.9 inches (124.5 mm)
 B = 16.8 inches (426.7 mm)
- CZ 114rd - CZ 148
 A = 5.0 inches (127.0 mm)
 B = 19.0 inches (482.6 mm)



Designation:	B 3
Weight:	Varies
Sheet Pile Sections:	CZ
Angle:	80-225 Degrees
Steel Grade:	A 572 Grade 50-65



CL 41-57
 A = 10.8 inches (275 mm)
 CS 55 - 76
 A = 13.8 inches (350 mm)

Designation:	CL-CS Corner
Weight:	Varies
Sheet Pile Sections:	CL AND CS
Angle:	80-225 Degrees
Steel Grade:	A 572 Grade 50-65