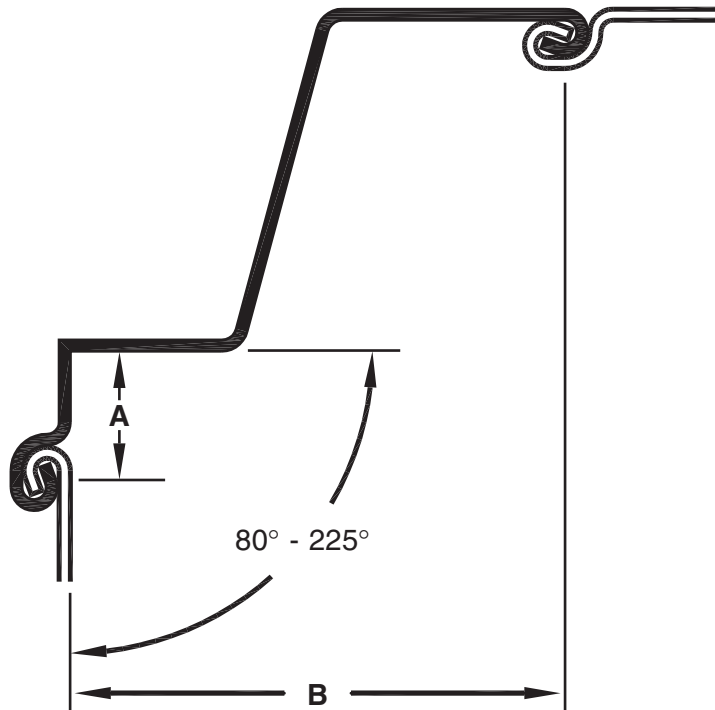


CZ 14 - CZ 16
A = 5.0 inches (127.0 mm)
B = 23.5 inches (596.9 mm)

CZ 17 - CZ 21
A = 5.0 inches (127.0 mm)
B = 24.95 inches (633.7 mm)

CZ 67 - CZ 72
A = 4.9 inches (124.5 mm)
B = 16.8 inches (426.7 mm)

CZ 114rd - CZ 148
A = 5.0 inches (127.0 mm)
B = 19.0 inches (482.6 mm)



Designation: **B 2**
 Weight: **Varies**
 Sheet Pile Sections: **CZ**
 Angle: **80-225 Degrees**
 Steel Grade: **A 572 Grade 50-65**