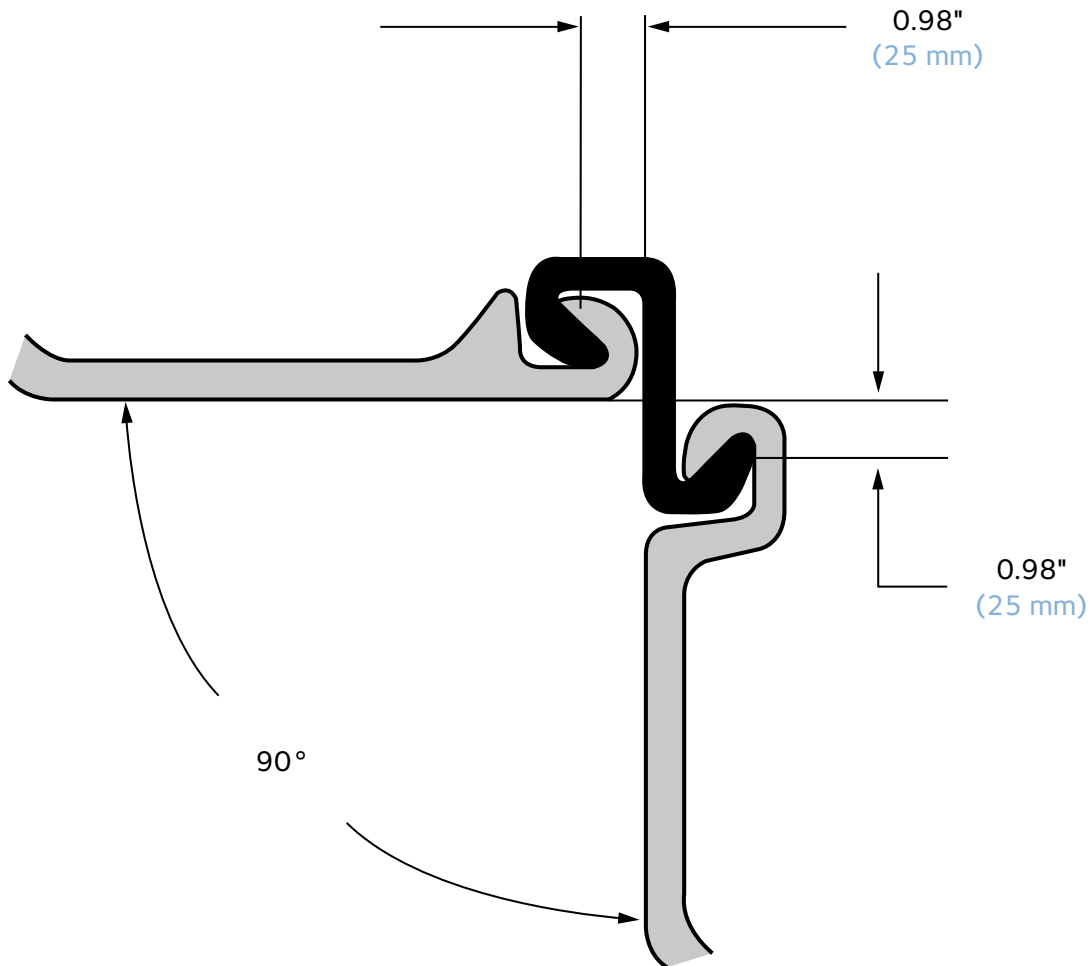


# C 14

Steel Sheet Pile Connectors

ArcelorMittal

skylinesteel I



**A572 Gr. 50 (S 355 GP)**  
**9.68 lb./ft. (14.4 kg/m)**

- Designed specifically to turn 90 degree corners
- Can be used with AZ, AU, PU, HZM and Pipe-AZ combined wall systems

This drawing detail is subject to customer review and acceptance. Skyline Steel is not responsible for this submittal. The detail and the information it contains is the property of Skyline Steel and is not to be traced or copied, nor is the information contained to be misused in any way.