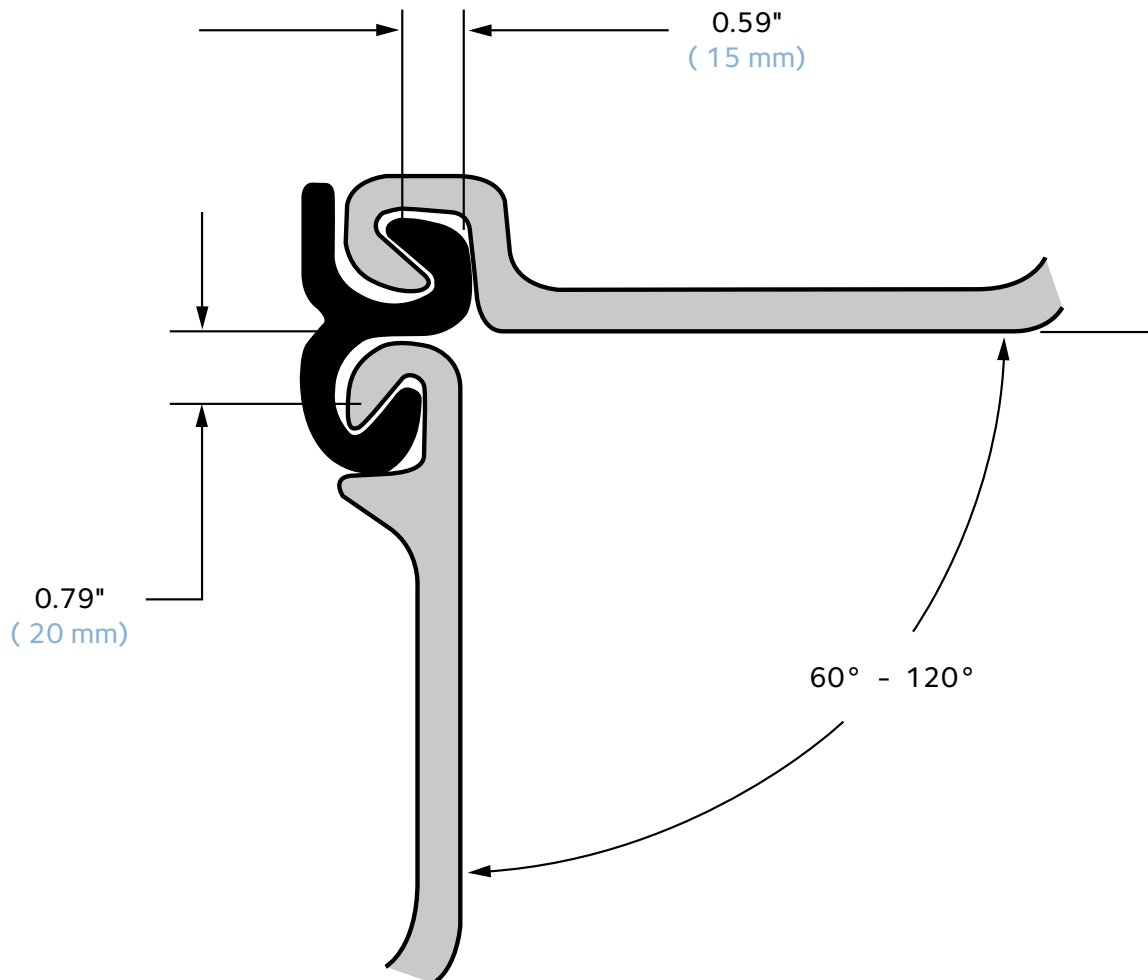


Delta 13

Steel Sheet Pile Connectors



skylinesteel I



A572 Gr. 50 (S 355 GP)
8.80 lb./ft. (13.1 kg/m)

- Offers flexibility in sheet pile corners and can turn angles between 60 and 120 degrees
- Can be used with AZ, AU, PU, HZM and Pipe-AZ combined wall systems

This drawing detail is subject to customer review and acceptance. Skyline Steel is not responsible for this submittal. The detail and the information it contains is the property of Skyline Steel and is not to be traced or copied, nor is the information contained to be misused in any way.