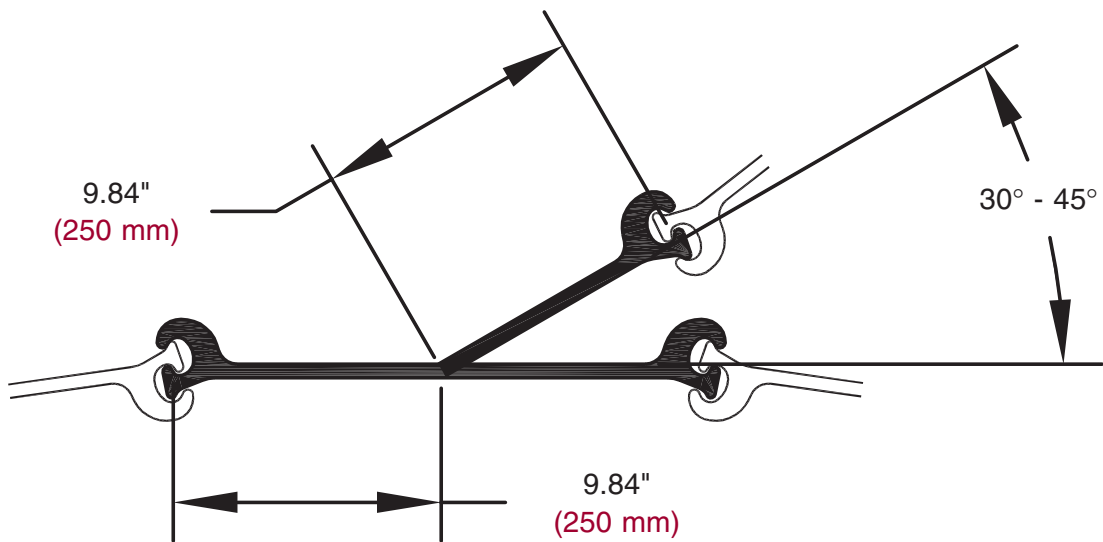


PS 30Y



Designation:	PS 30Y
Weight:	Varies
Sheet Pile Sections:	PS
Angle:	30 Degrees
Steel Grade:	A 572 Grade 50-65, A 690