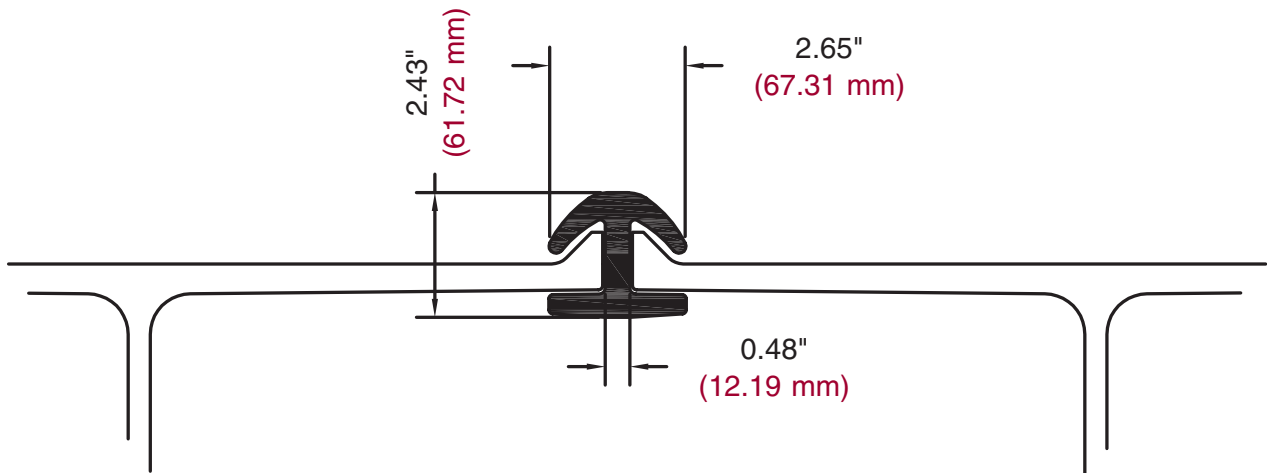




8 Woodhollow Road, Parsippany, NJ 07054
Phone: 973-428-6100 Fax: 973-428-7399
engineering@skylinesteel.com
www.skylinesteel.com

Technical Hotline: 1-866-8Skyline (1-866-875-9546)

RH 16



Designation: **RH 16**
Weight:..... 10.75 lbs/ft (**16.0 kg/m**)
Sheet Pile Sections: HZ 575 A-C, HZ 775 A-B, HZ 975 A-B
Angle:..... NA
Steel Grade: A 572 Grade 50-65, A 690