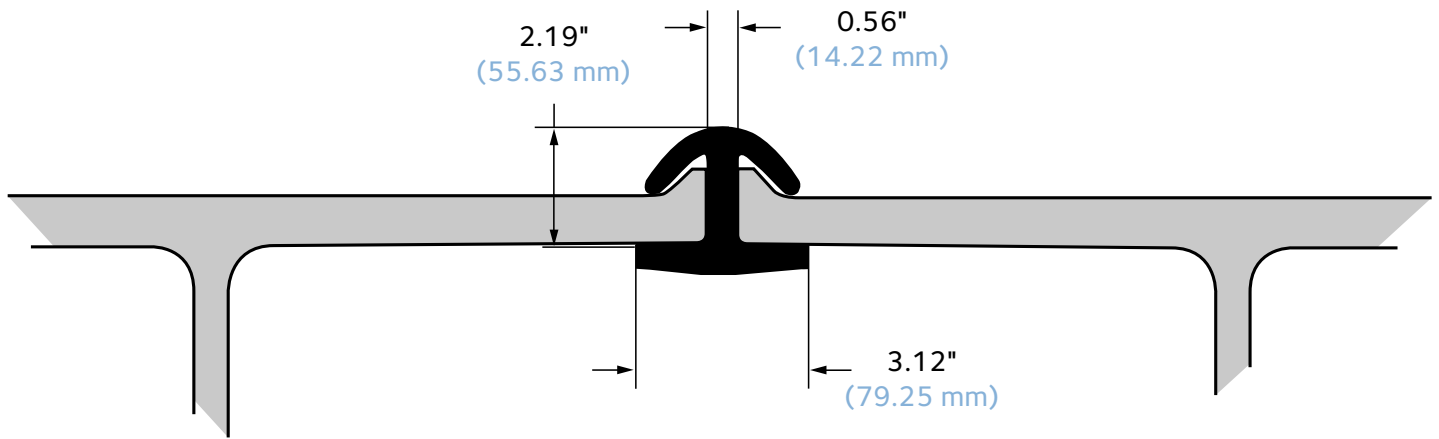


RH 20

Steel Sheet Pile Connectors



skylinesteel I



A572 Gr. 50-65, A690
13.44 lb/ft (20.0 kg/m)

- Connects the HZ beams to each other
- Sized for HZ 575D, HZ 775 C-D, and HZ 975 C-D

This drawing detail is subject to customer review and acceptance. Skyline Steel is not responsible for this submittal. The detail and the information it contains is the property of Skyline Steel and is not to be traced or copied, nor is the information contained to be misused in any way.