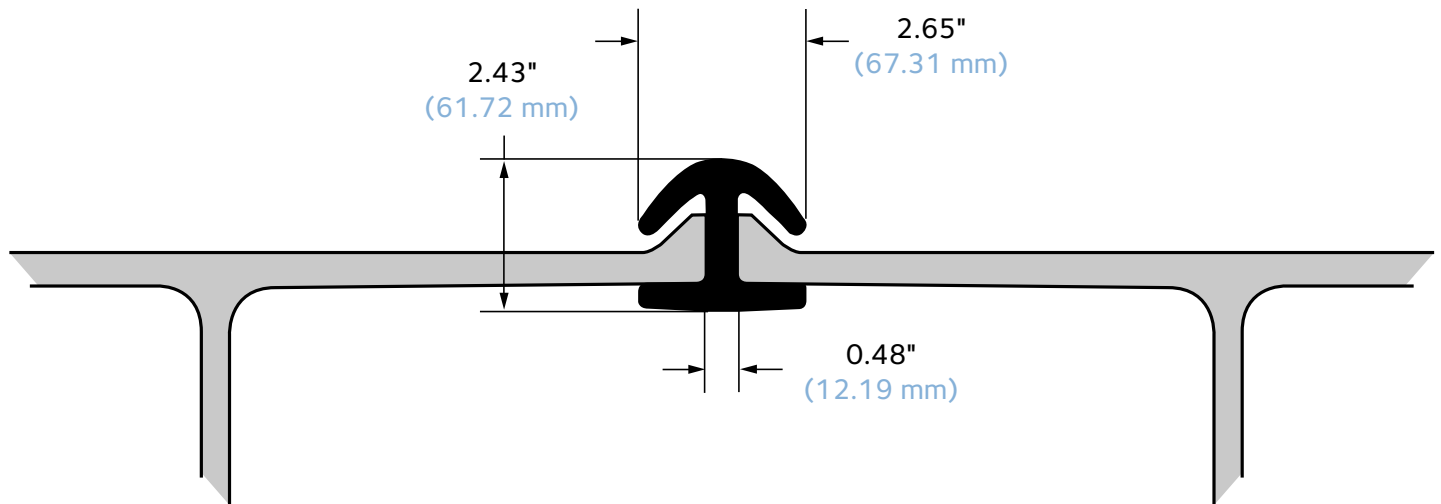


# RH 16

Steel Sheet Pile Connectors



skylinesteel I



**A572 Gr. 50-65, A690**  
**10.75 lb./ft. (16.0 kg/m)**

- Connects the HZM beams to each other
- Sized for HZ 880 M, 1080 M, 1180 M A-B

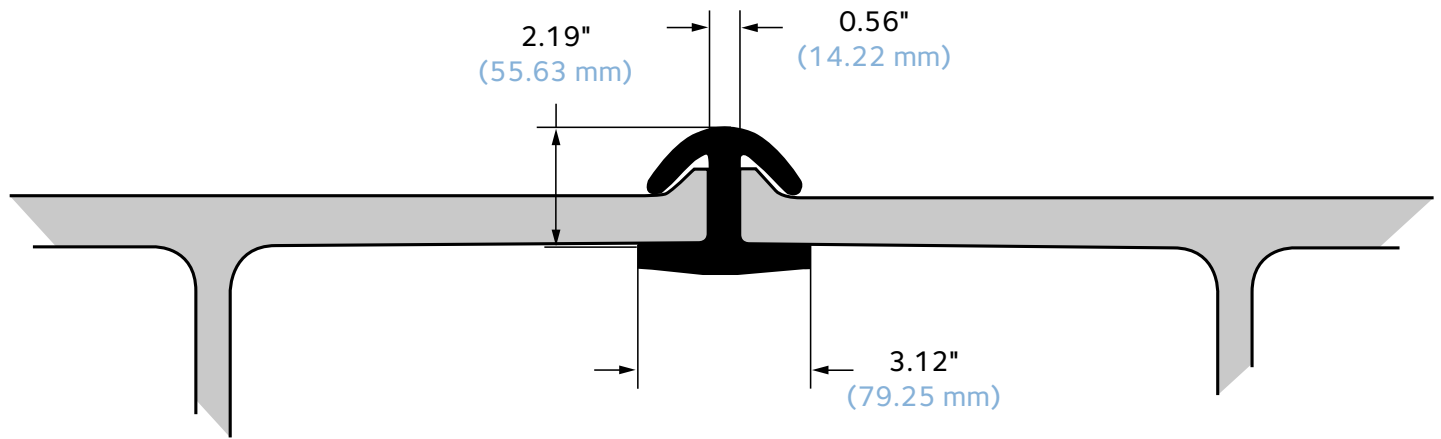
This drawing detail is subject to customer review and acceptance. Skyline Steel is not responsible for this submittal. The detail and the information it contains is the property of Skyline Steel and is not to be traced or copied, nor is the information contained to be misused in any way.

# RH 20

Steel Sheet Pile Connectors



skylinesteel I



**A572 Gr. 50-65, A690**  
**13.44 lb/ft (20.0 kg/m)**

- Connects the HZ beams to each other
- Sized for HZ 575D, HZ 775 C-D, and HZ 975 C-D

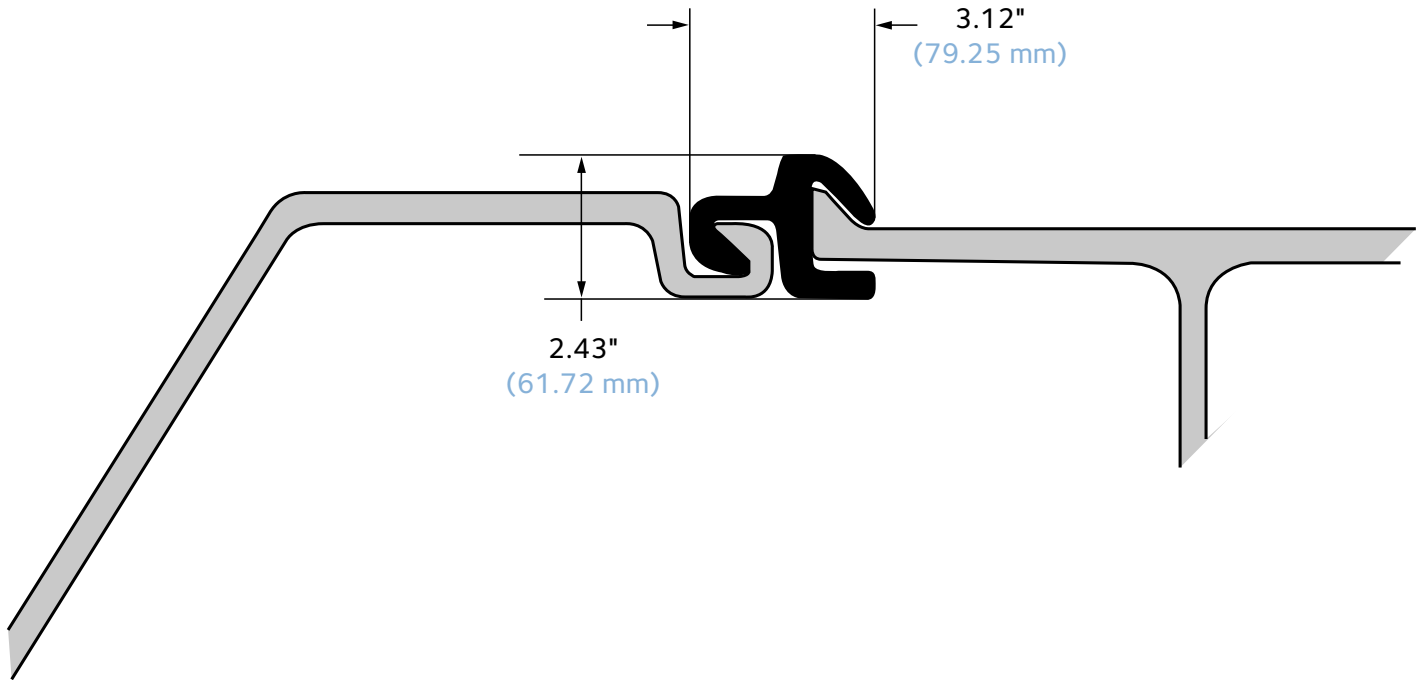
This drawing detail is subject to customer review and acceptance. Skyline Steel is not responsible for this submittal. The detail and the information it contains is the property of Skyline Steel and is not to be traced or copied, nor is the information contained to be misused in any way.

# RZD 16

Steel Sheet Pile Connectors



skylinesteel I



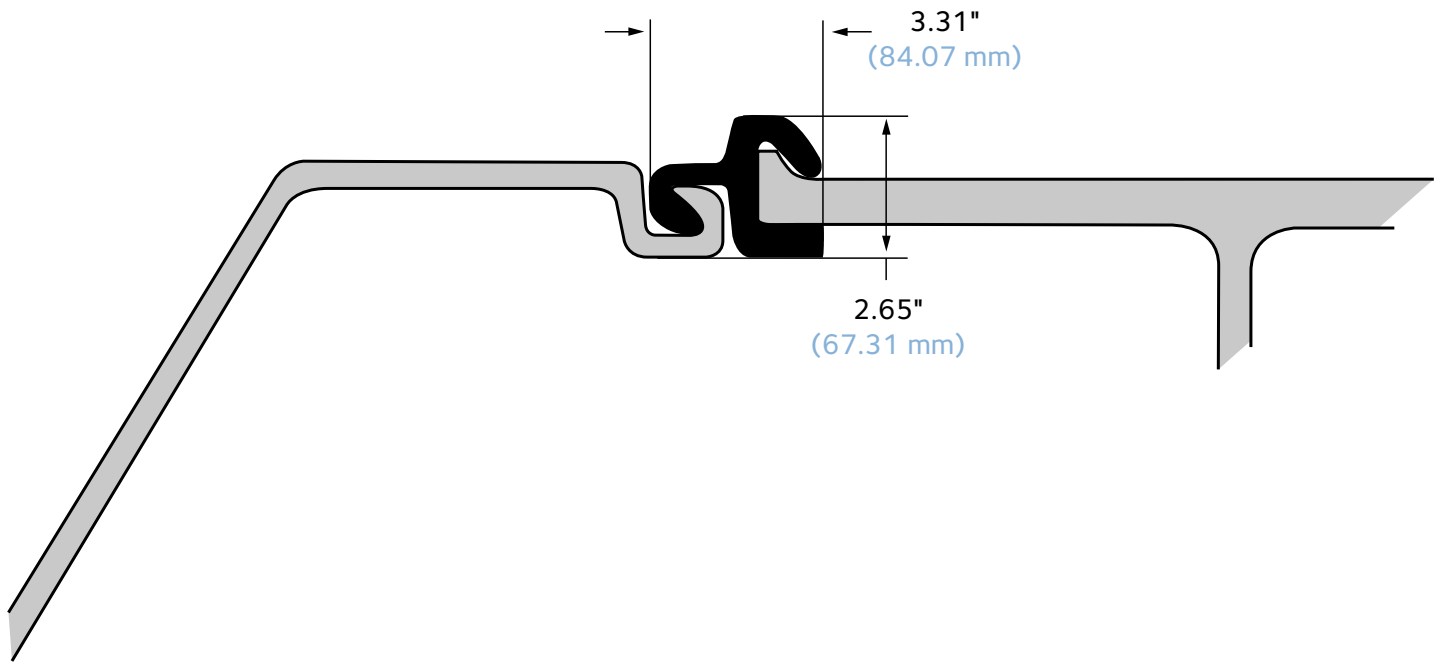
**A572 Gr. 50-65, A690**  
**10.89 lb./ft. (16.2 kg/m)**

- Connects the HZM beams to AZ
- Sized for HZ 880 M, 1080 M, 1180 M A-B

This drawing detail is subject to customer review and acceptance. Skyline Steel is not responsible for this submittal. The detail and the information it contains is the property of Skyline Steel and is not to be traced or copied, nor is the information contained to be misused in any way.

# RZD 18

Steel Sheet Pile Connectors



**A572 Gr. 50-65, A 690**  
**12.17 lb./ft. (18.1 kg/m)**

- Connects the HZM beams to AZ
- Sized for HZ 1180 M C-D

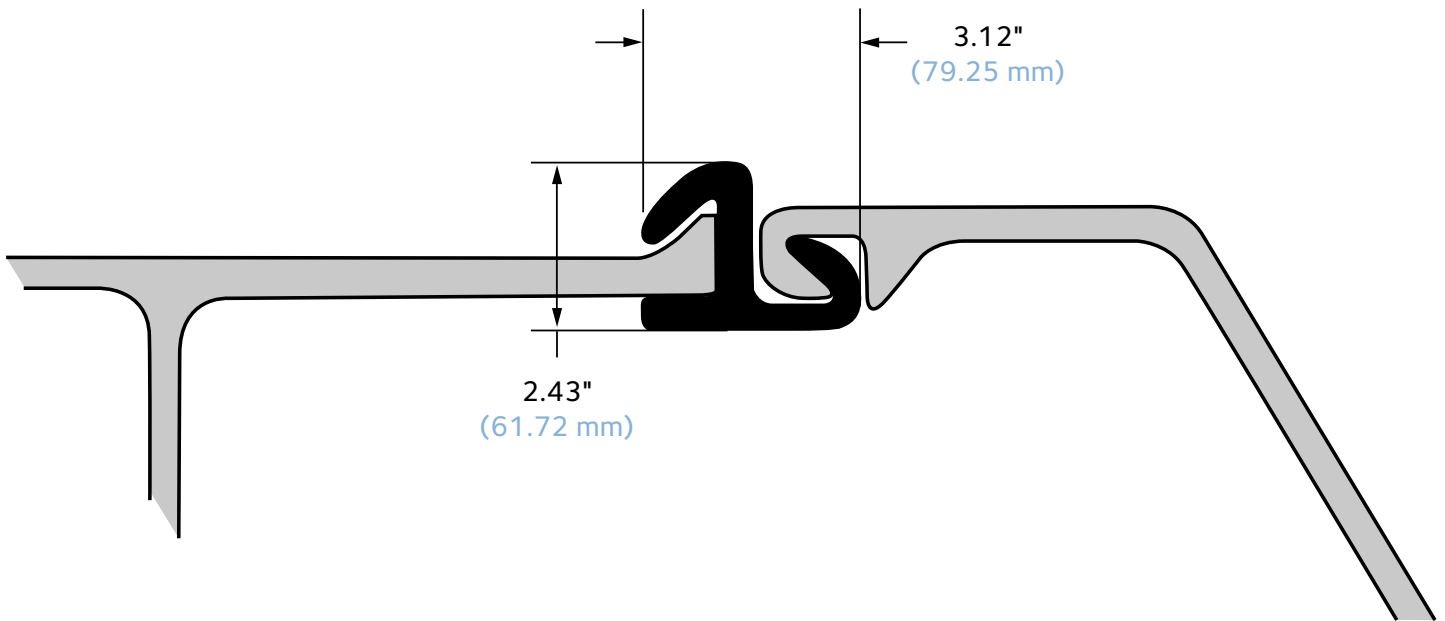
This drawing detail is subject to customer review and acceptance. Skyline Steel is not responsible for this submittal. The detail and the information it contains is the property of Skyline Steel and is not to be traced or copied, nor is the information contained to be misused in any way.

# RZU 16

Steel Sheet Pile Connectors



skylinesteel I



**A572 Gr. 50-65, A 690**  
**10.82 lb./ft. (16.1 kg/m)**

- Connects the HZM beams to AZ
- Sized for HZ 880 M, 1080 M, 1180 M A-B

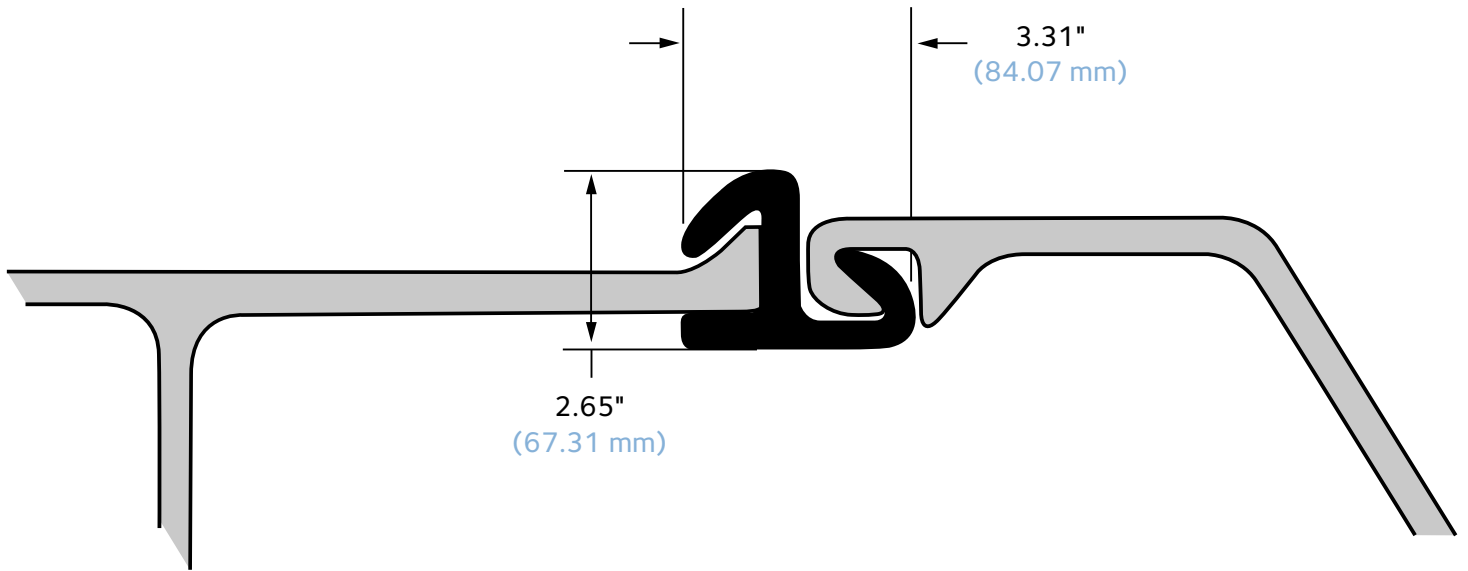
This drawing detail is subject to customer review and acceptance. Skyline Steel is not responsible for this submittal. The detail and the information it contains is the property of Skyline Steel and is not to be traced or copied, nor is the information contained to be misused in any way.

# RZU 18

Steel Sheet Pile Connectors



skylinesteel I



**A 572 Gr. 50-65, A690**  
**12.03 lb./ft. (17.9 kg/m)**

- Connects the HZM beams to AZ
- Sized for HZ 1180 M C-D

This drawing detail is subject to customer review and acceptance. Skyline Steel is not responsible for this submittal. The detail and the information it contains is the property of Skyline Steel and is not to be traced or copied, nor is the information contained to be misused in any way.