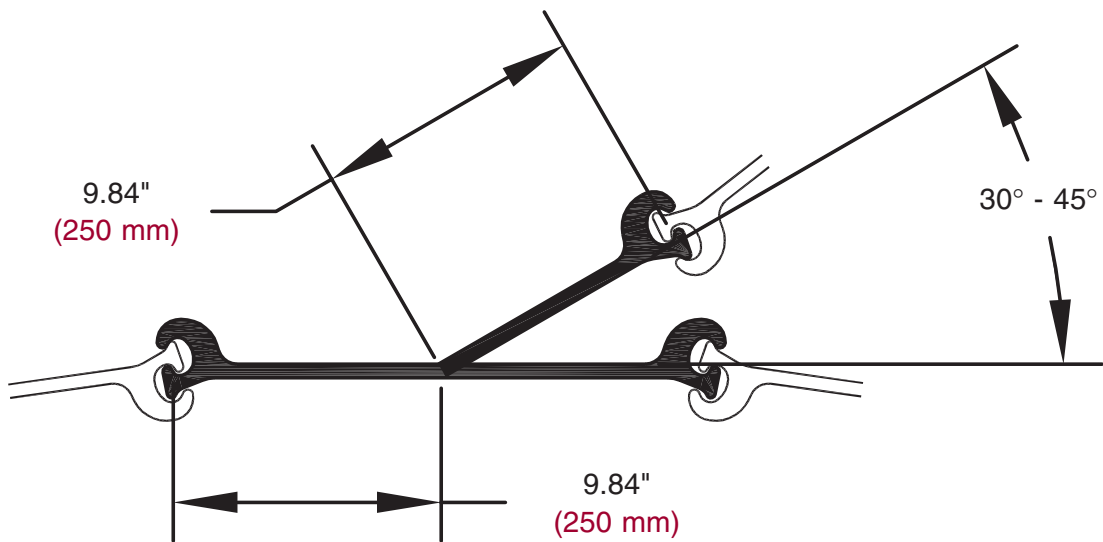


PS 30Y



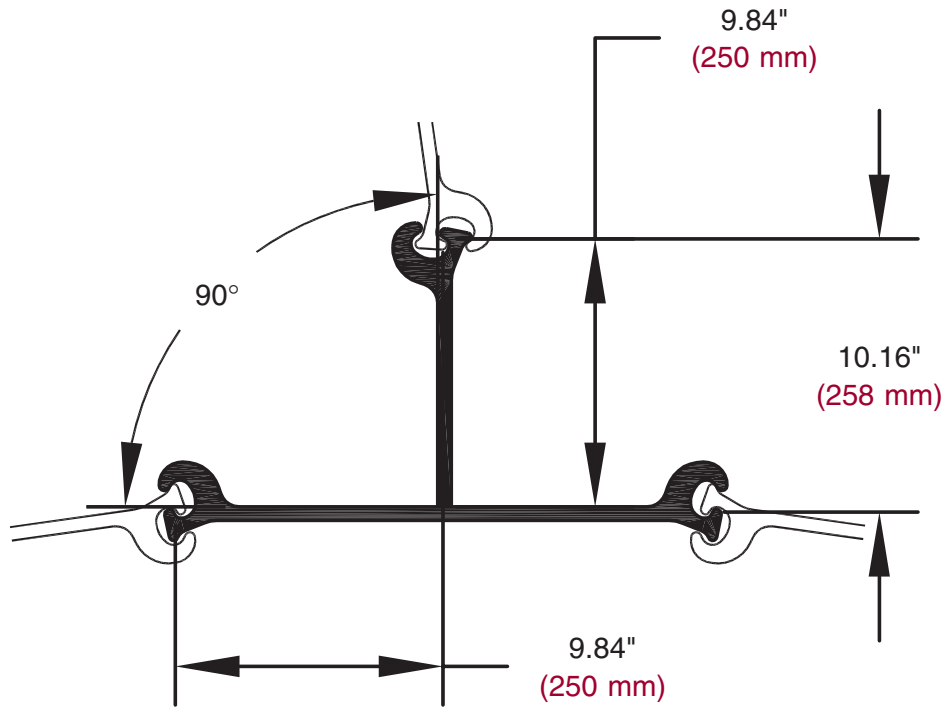
Designation:	PS 30Y
Weight:	Varies
Sheet Pile Sections:	PS
Angle:	30 Degrees
Steel Grade:	A 572 Grade 50-65, A 690



8 Woodhollow Road, Parsippany, NJ 07054
Phone: 973-428-6100 Fax: 973-428-7399
engineering@skylinesteel.com
www.skylinesteel.com

Technical Hotline: 1-866-8Skyline (1-866-875-9546)

PS 90T



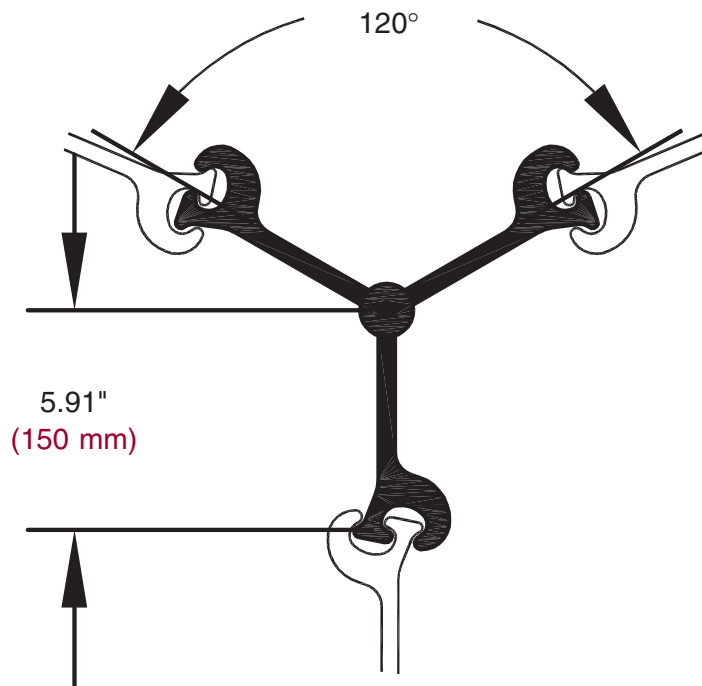
Designation:	PS 90T
Weight:	Varies
Sheet Pile Sections:	PS
Angle:	90 Degrees
Steel Grade:	A 572 Grade 50-65, A 690



8 Woodhollow Road, Parsippany, NJ 07054
Phone: 973-428-6100 Fax: 973-428-7399
engineering@skylinesteel.com
www.skylinesteel.com

Technical Hotline: 1-866-8Skyline (1-866-875-9546)

PS 120Y



Designation:	PS 120Y
Weight:	Varies
Sheet Pile Sections:	PS
Angle:	120 Degrees
Steel Grade:	A 572 Grade 50-65, A 690