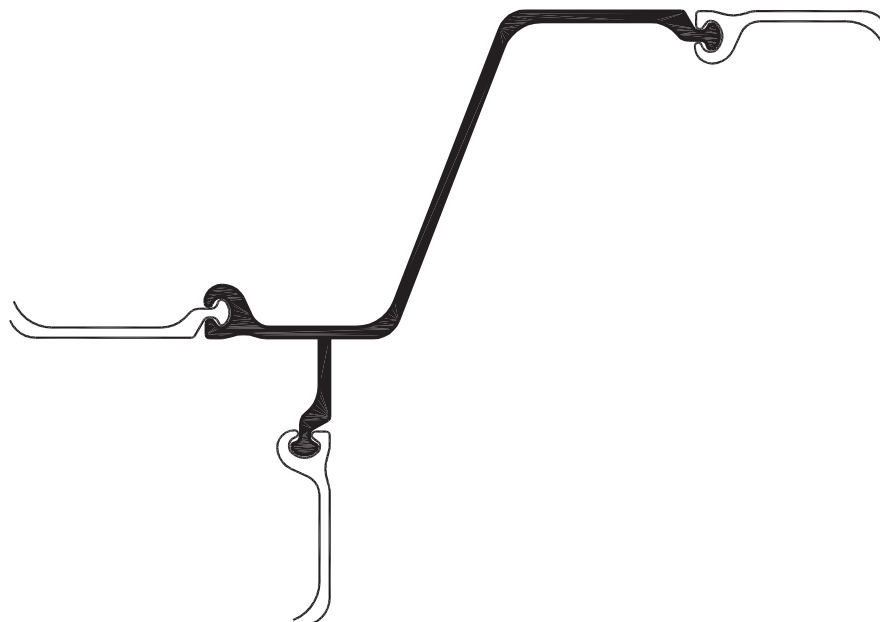




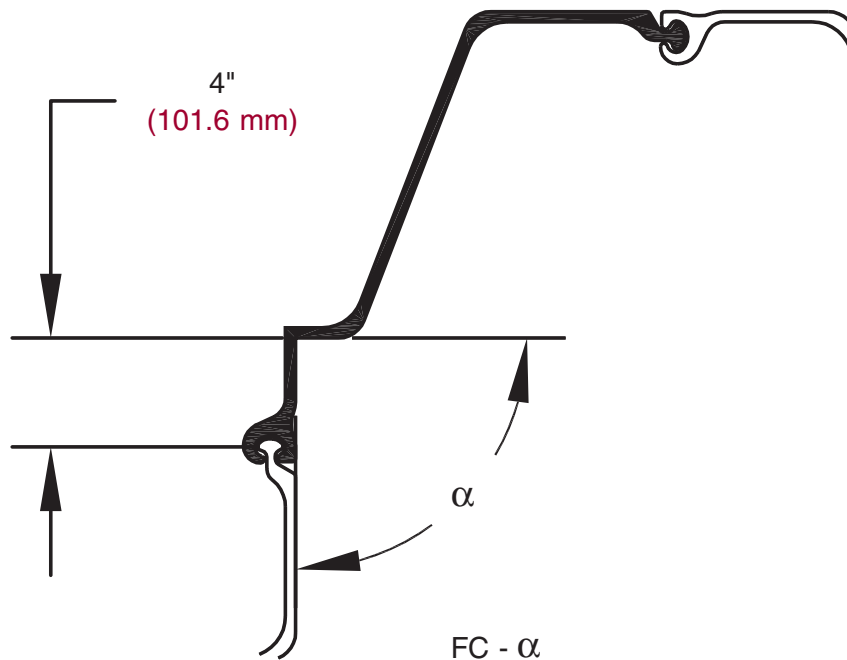
8 Woodhollow Road, Parsippany, NJ 07054
Phone: 973-428-6100 Fax: 973-428-7399
engineering@skylinesteel.com
www.skylinesteel.com

Technical Hotline: 1-866-8Skyline (1-866-875-9546)

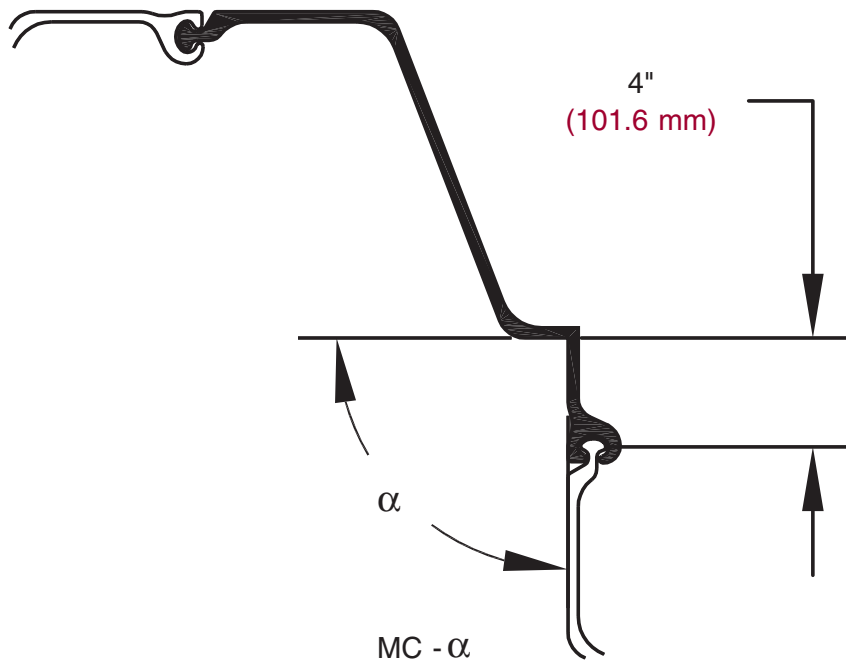
PZ T



Designation:	PZ T Pile
Weight:.....	Varies
Sheet Pile Sections:	PZ
Length of T / Angle:.....	Varies
Steel Grade:	A 572 Grade 50-65, A 690



Designation: **FC** (Female Corner)
 Weight: Varies
 Sheet Pile Sections: PZ
 Angle: Varies
 Steel Grade: A 572 Grade 50-65, A 690



Designation: **MC** (Male Corner)
Weight: Varies
Sheet Pile Sections: PZ
Angle: Varies
Steel Grade: A 572 Grade 50-65, A 690